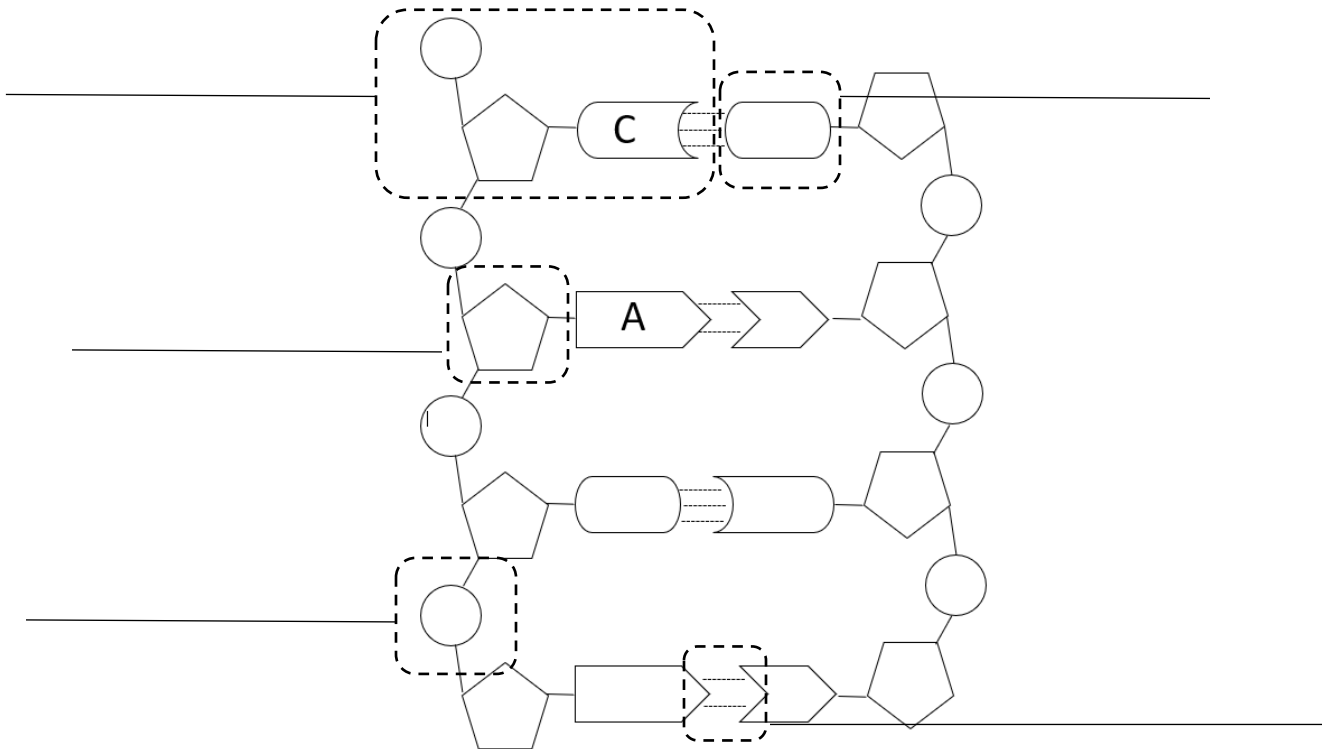


DNA STRUCTURE REVIEW

DNA shape: _____

DNA is composed of two complementary strands made of subunits called _____

Label the diagram:



Base Pair Rule:

Adenine pairs with _____ & Cytosine pairs with _____

Use the rule to fill in the other nitrogen bases above

Use the information to fill out the picture below:

Label the following parts of DNA:

hydrogen bonds

sugar

nucleotide

nitrogen base

phosphate

base pair

